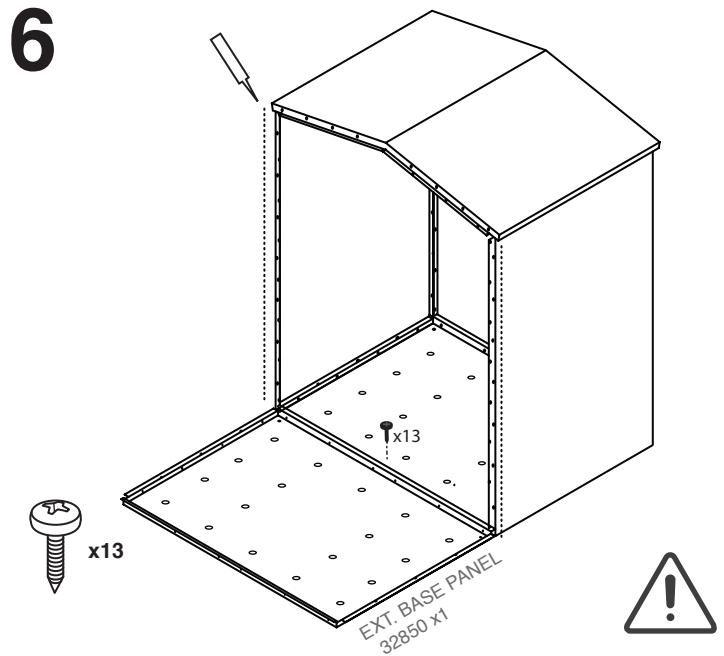
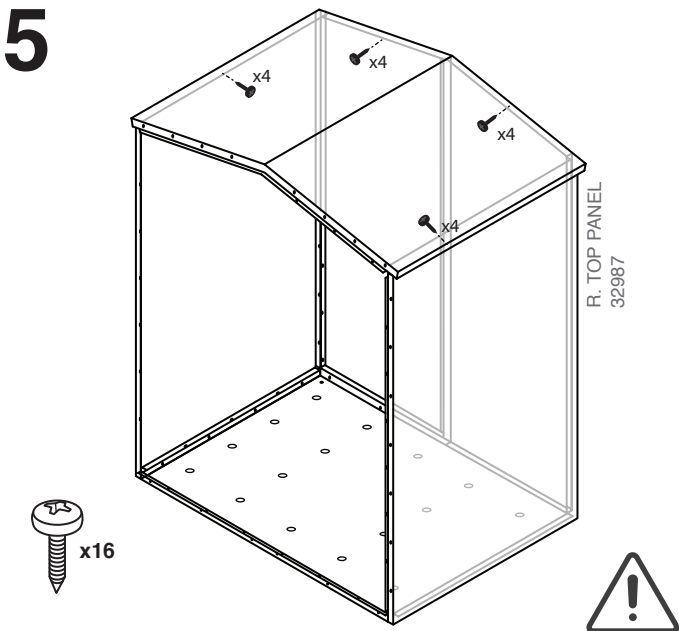
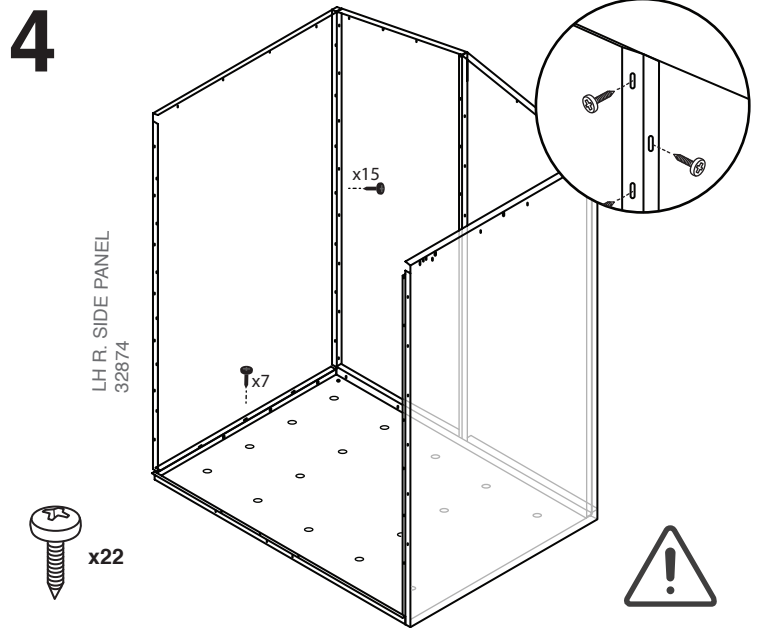
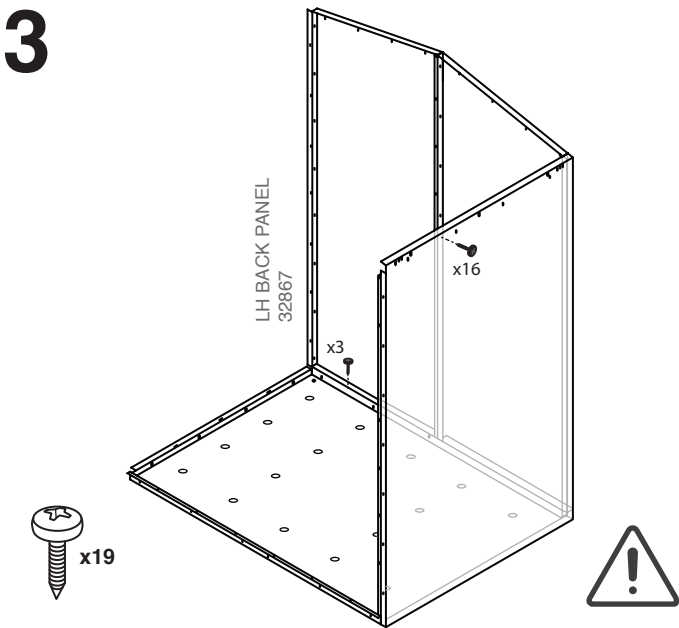
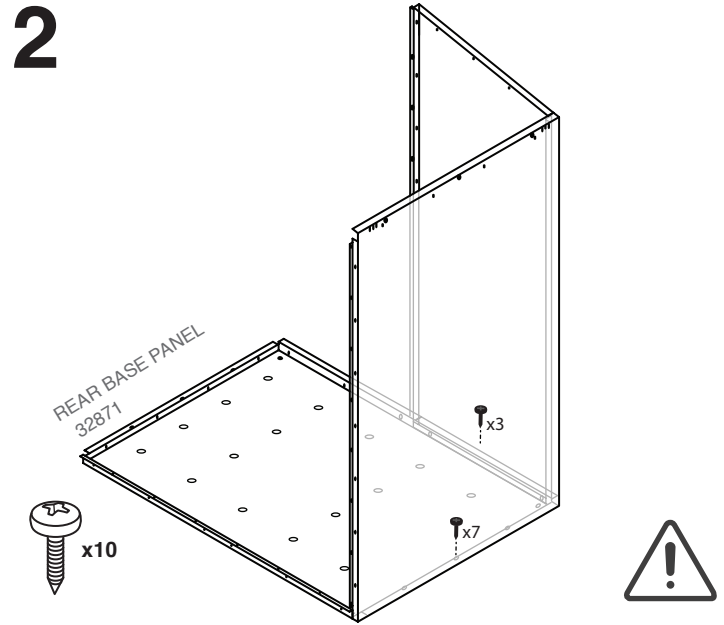
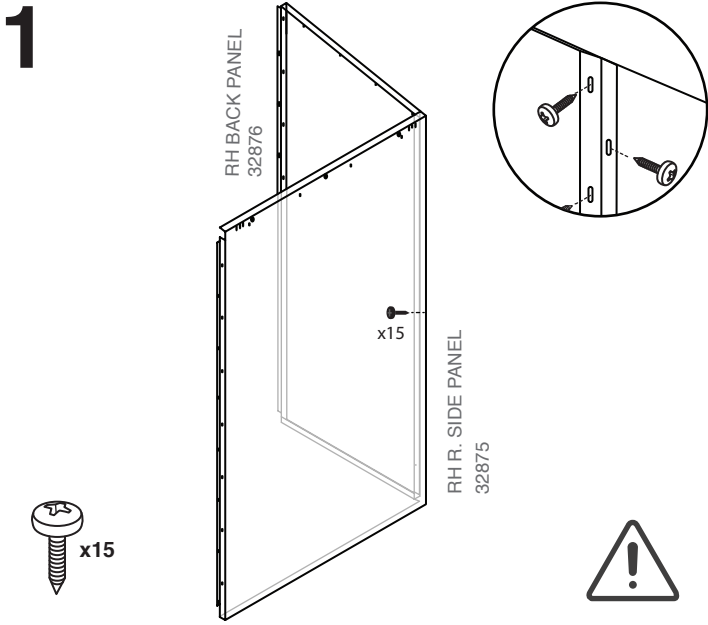
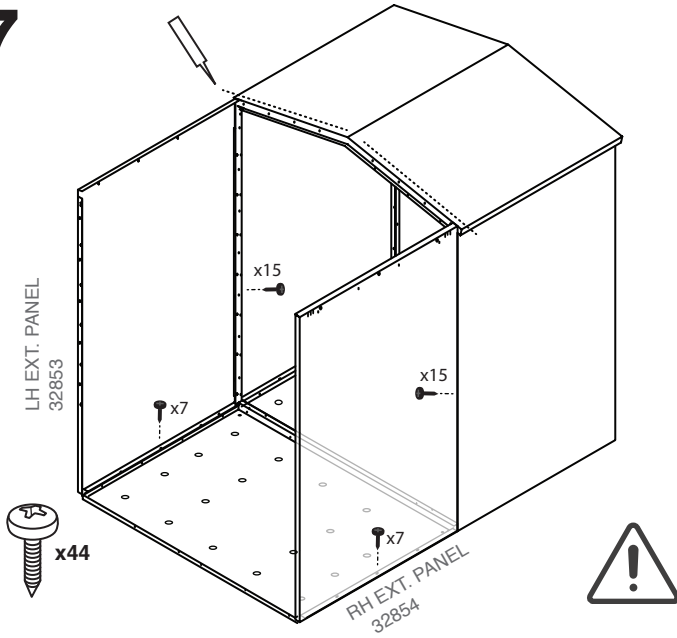




PLEASE NOTE ALL SCREWS ARE FIXED FROM THE INSIDE

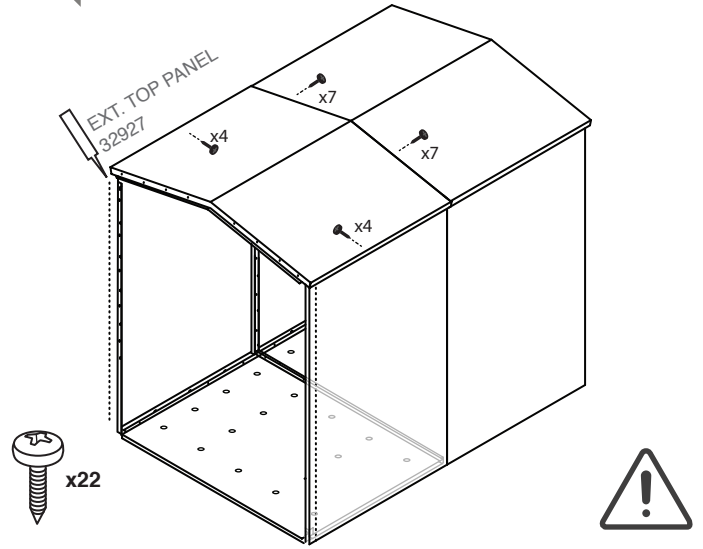


7

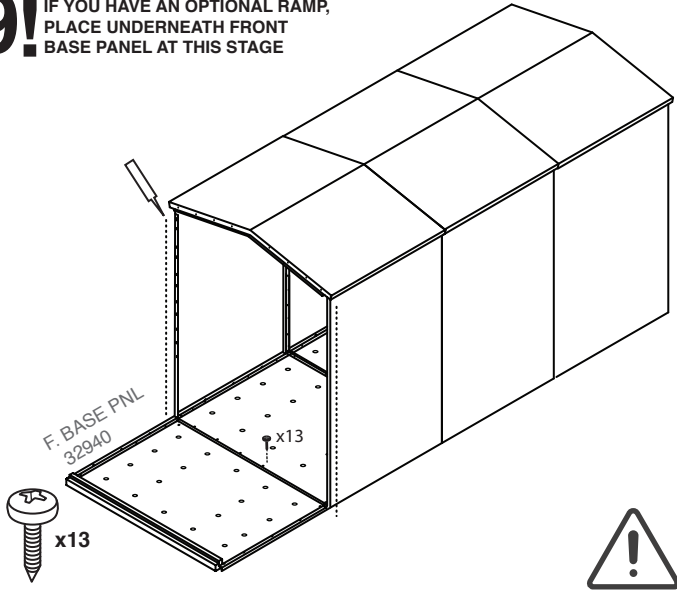


8

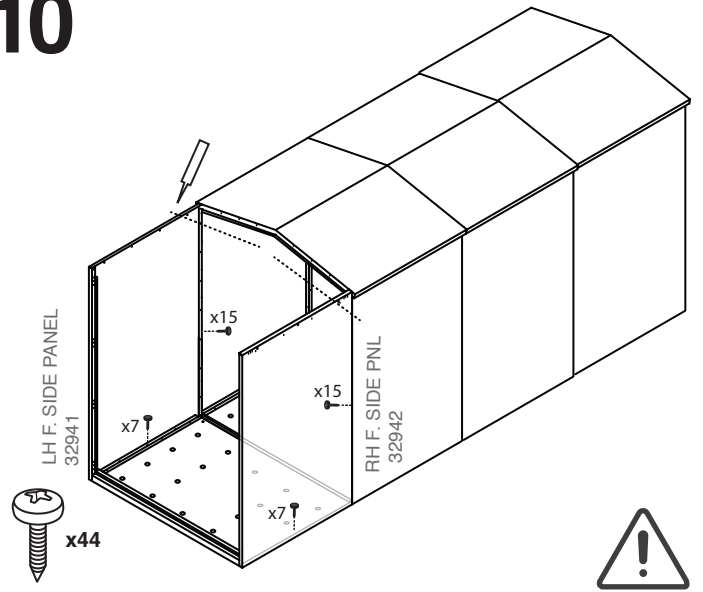
REPEAT 6-8 TWICE



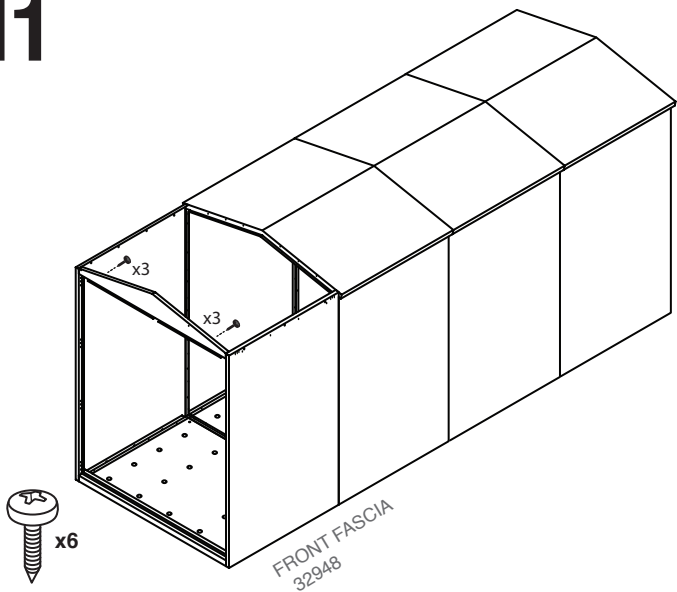
9! IF YOU HAVE AN OPTIONAL RAMP, PLACE UNDERNEATH FRONT BASE PANEL AT THIS STAGE



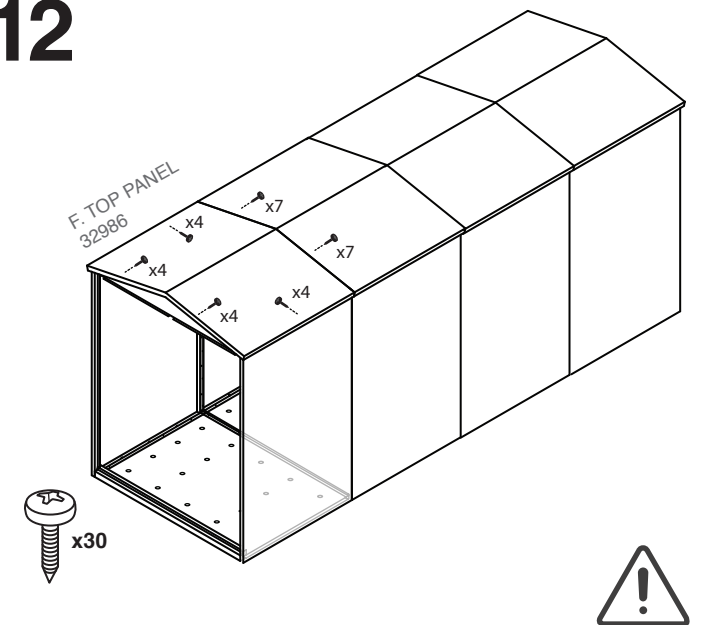
10



11



12





19

